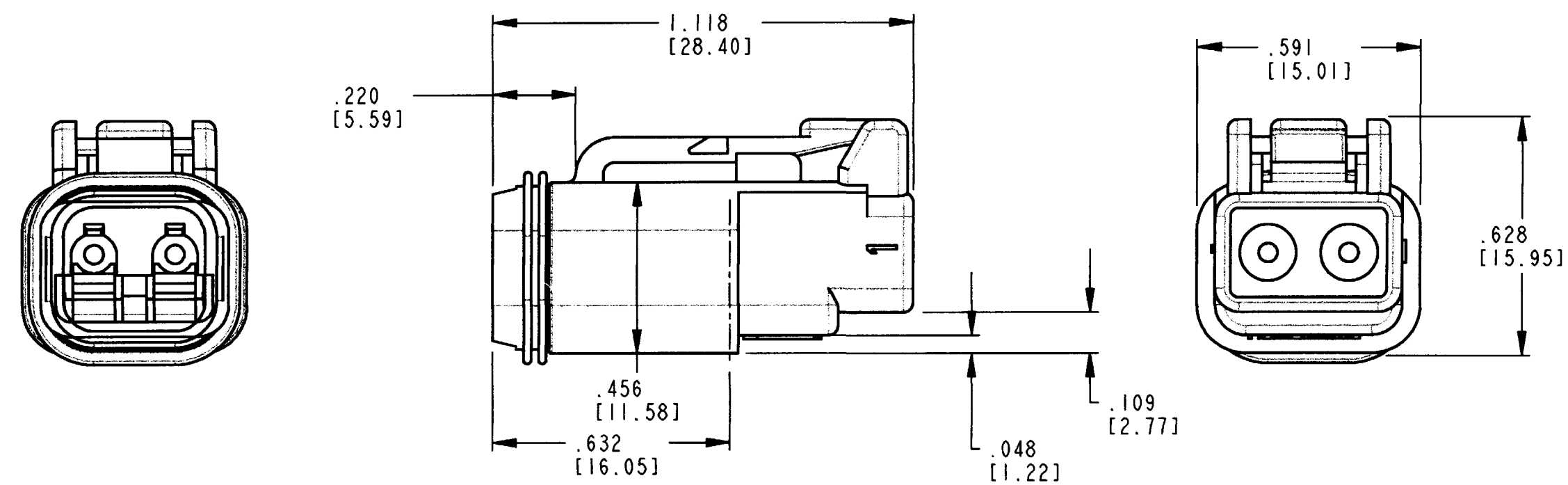


REV  
A  
DT06-2S-P012

REVISIONS			
SYM	DESCRIPTION	DATE	APPROVED
NC	NEW RELEASE PER E.O. P15141	1-31-97	R.R.
A	REVISED PER E.O. P15827	12-31-98	<i>RR</i>



PLUG INSERTS INTO RECEPT.  
WITHIN THIS DISTANCE.

CONTACT SIZE	MIN. INSUL. O.D.	MAX. INSUL. O.D.	WIRE RANGE
16	.088 [2.23]	.145 [3.68]	14-18 AWG [2.0-0.75mm <sup>2</sup> ]

- NOTES:
1. DIMENSIONS ARE IN INCHES [METRIC].
  2. DIMENSION TOLERANCE: ±.025 [0.63].
  3. WEDGE LOCK W2S-P012 SOLD SEPARATELY.
  4. FOR CONTACT AND WIRE PERFORMANCE AND APPLICATION CHARACTERISTICS SEE ENVELOPE DRAWING 0425-015-0000 AND 0425-017-0000.
  5. THIS PLUG MATES WITH DT04-2P-E004, DT13-2P-E004, DT15-2P-E004 RECEPTACLE.

SIGNATURE & DATE	
DR	H. TRAN OCT-14-96
CHK	<i>S. Blundell 12-4-98</i>
PE	<i>William Tomar NOV-16-98</i>
APPD	<i>R. Rad 12-31-98</i>
SCALE	WT

2 WAY PLUG  
COLOR: BLACK  
DT SERIES

ENVELOPE

CP	MATL. CODE
<b>The Deutsch Company</b> DEUTSCH I.P.D. 3850 INDUSTRIAL AVE. HEMET, CALIF. 92545	
<b>B</b>	<b>DT06-2S-P012</b>
DWG SIZE	CODE 11139 SHEET   OF